

Rev 0.1

Revision note :

17/03/19

shm

Checked

A

B

C

D

E

F

A

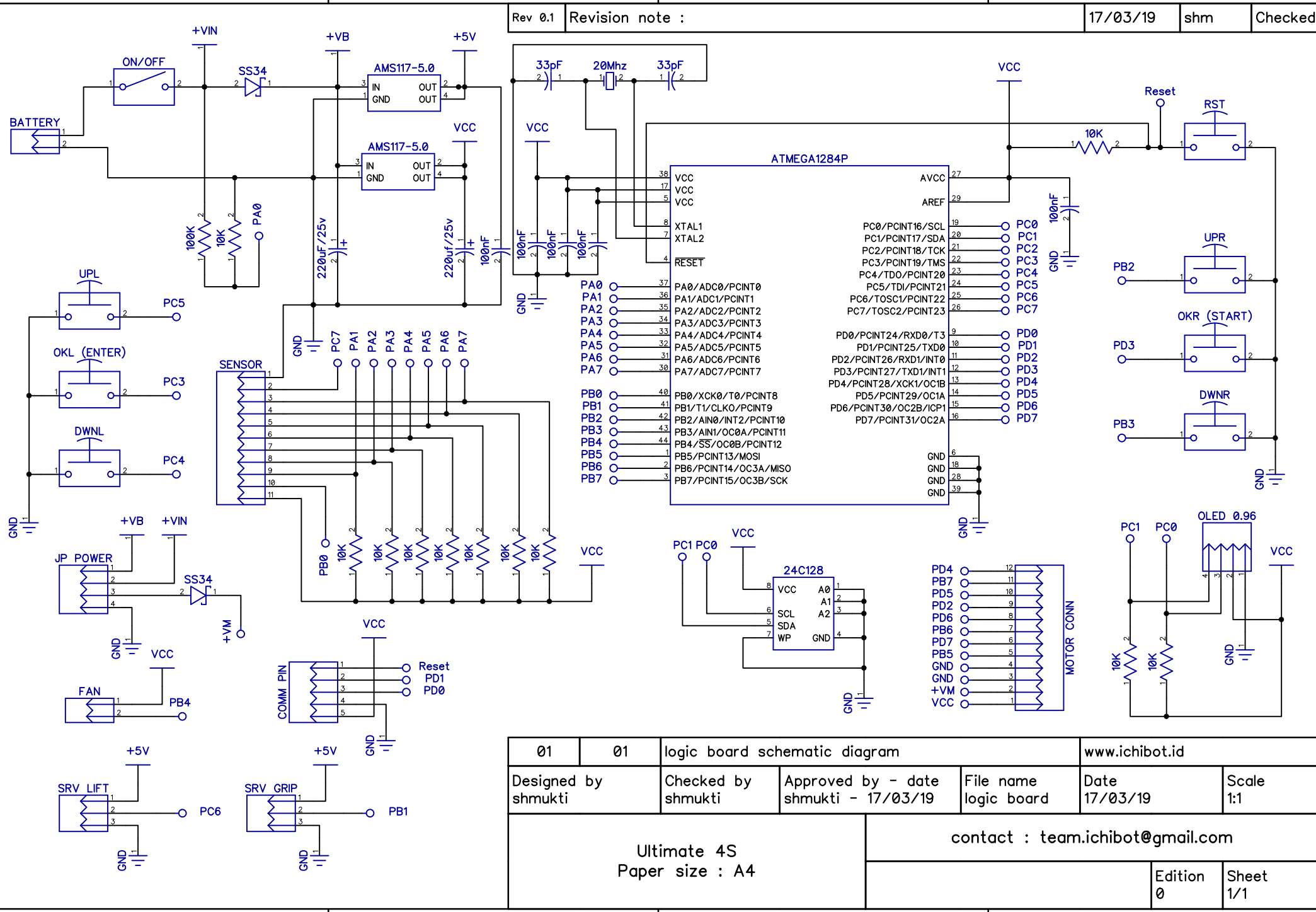
B

C

D

E

F



01	01	logic board schematic diagram			www.ichibot.id	
Designed by shmukti		Checked by shmukti	Approved by - date shmukti - 17/03/19	File name logic board	Date 17/03/19	Scale 1:1
Ultimate 4S Paper size : A4				contact : team.ichibot@gmail.com		
				Edition 0	Sheet 1/1	